

customer/technical services

For any technical or installation queries please contact Vado on 01934 745163.

guarantee

This product is guaranteed against manufacturing defects from the date of purchase until the expiry of the relevant guarantee period shown below.

The guarantee is only valid if:-

1. The product has been installed, used and maintained in accordance with Vado's instructions and subjected to normal use only.
2. The defect is not due to use of an unsuitable or inadequate water or power supply.
3. The defect is not due to accident, misuse, neglect or repair other than by Vado or Vado authorised agents or damage caused by foreign objects or substances.
4. We have received from you the completed Guarantee Registration Form. Vado accepts no responsibility for any forms lost in the post and returns by registered means is therefore recommended.

Under this guarantee (which is non-transferable) Vado will, at its option, repair or replace free of charge any product (or replacement part) found to be defective. The guarantee does not extend to any consequential loss or damage. After repair or replacement the relevant guarantee period will be calculated from the original date of purchase.

The relevant guarantee periods are:-

1. Twelve years on chrome finish products.
2. Three years on all other products with the exception of Stuart Turner Pumps which carry a 2 year Guarantee on Monsoon Range and 1 Year Guarantee on Showermate Range.

All claims under the guarantee must be submitted in writing to the person who supplied the product to you and must be received no later than the last day of the relevant guarantee period. All claims must be accompanied by proof of purchase (sales receipt or delivery note).

Vado operates a policy of continuous product development and therefore reserves the right to change the product, packaging and documentation specifications without notice.

This guarantee is in addition to and does not affect your statutory rights as a consumer.

Vado

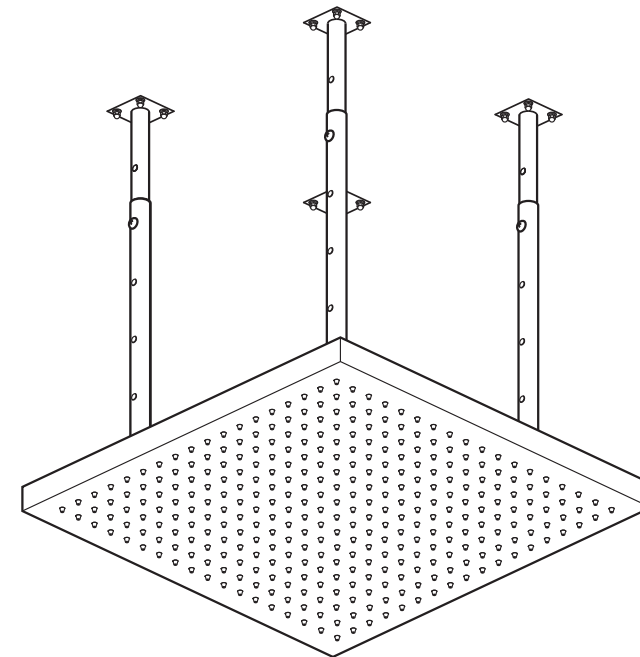
Wedmore Road, Cheddar, Somerset, England BS27 3EB
tel 01934 744466. fax 01934 744345
technical@vado-uk.com
www.vado-uk.com

GUARANTEE REGISTRATION

NAME				
ADDRESS				
	POSTCODE			
RETAILER				
ADDRESS				
	POSTCODE			
PURCHASE DATE	ARTICLE NUMBER	(SEE BOX)		
PRODUCT DESCRIPTION				
WHO INSTALLED THE PRODUCT?	RETAILER	PLUMBER	BUILDER	SELF
FOR VADO USE				





installation & maintenance instructions



freedom

large square shower head in stainless steel

please leave these instructions with the customer



important - please read

Please read these instructions carefully before starting installation and keep for future reference.

Remove all packaging and check the product for missing parts or damage before starting installation.

Any alterations made to this product and fittings may infringe water regulations and will invalidate the guarantee.

The installation must comply with all Local/National Water Supply Authority Regulations/Byelaws and Building and Plumbing (UK:BS6700) Regulations.

We strongly recommend that you use a qualified and registered plumber.

Please note if installing in an enclosed environment, access should be left for servicing and maintenance. No costs relating to inadequate access can be accepted.

maintenance



Our products are finished to the highest standard and due care needs to be taken to ensure their looks are retained.




We recommend cleaning all products with a soft damp cloth ONLY and advise strongly against the use of ALL cleaning products i.e. powders and liquids.

If the above instructions are not followed this will invalidate your guarantee in the event of a problem occurring.

Shower head Nozzles.

To remove any build up of Limescale on the shower head, rub the nozzles with your thumb gently.

Note: Do not attempt to tighten or loosen the bolts securing the face plate to the body as this will result in possible shearing of the securing nuts and will cause the unit to leak.

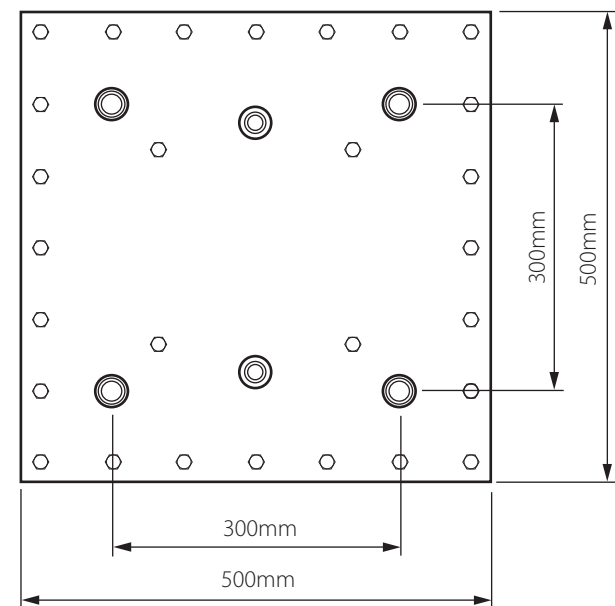
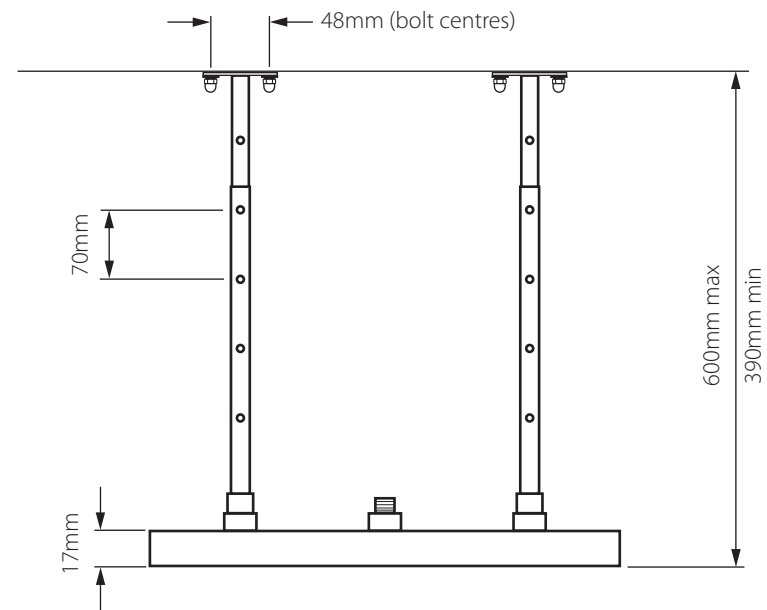


installers/users notes

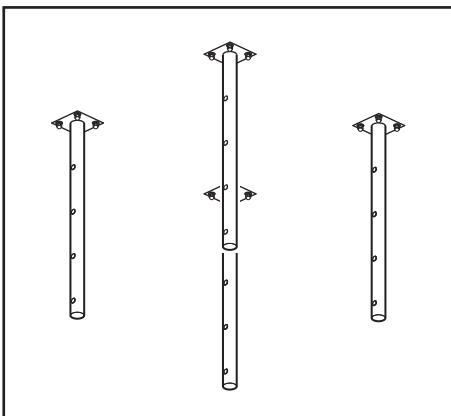
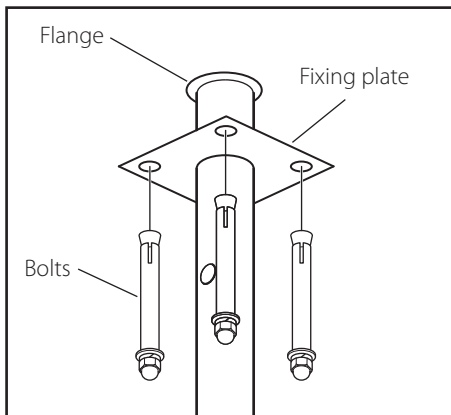
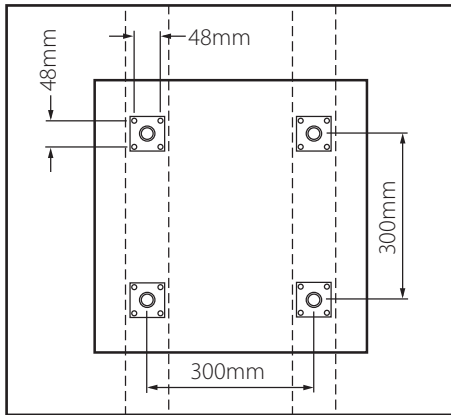


installers/users notes

dimensions



installation



4

Warning! The shower head is made of stainless steel and therefore is very heavy, it must be secured to the ceiling using all of the fixing bolts.

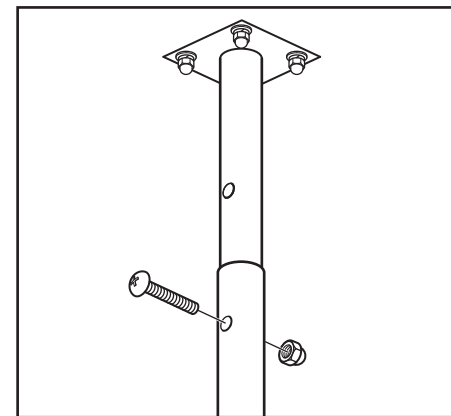
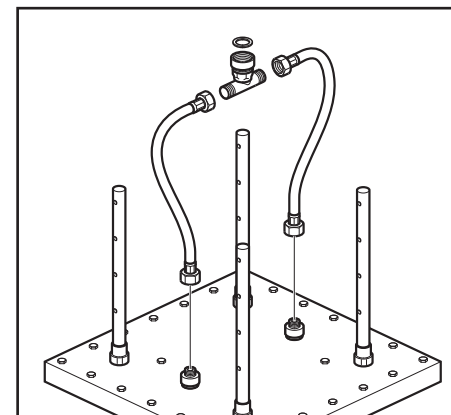
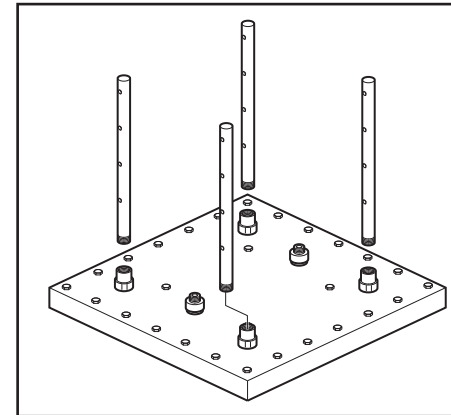
The shower head is secured to the ceiling with four adjustable tubes, each tube is fixed to the ceiling with a fixing plate and 4 bolts.

Mark the position of the 4 tubes on the ceiling making sure that the shower head is parallel to the wall, the centres of the tubes are at 300mm, see diagram left.

Using the fixing plate as a template mark the centres of the 4 fixing holes - 48mm. You will need to add additional supports in the ceiling. These should be of a minimum of 75mm x 75mm to be able to take the width of the plate and the length of the bolts.

Drill 4 x 8mm holes to a depth of 50mm. Slide the fixing plate onto the smaller diameter tube with the flange and secure to the ceiling using the 4 bolts, or if preferred appropriate size wood screws could be used.

installation



Screw the remaining 4 tubes into the bases on the top of the shower head. Screw the 2 flexible hoses onto the connectors on the top of the shower head and then onto the tee, making sure that there are rubber seals in each end of each hose.

With help take the shower head and slide the tubes over the tubes fixed to the ceiling.

Adjust the shower head, bearing in mind the different heights of people using the shower. When satisfied, move the shower head up or down until the nearest holes of each tube line up. (You might have to turn one of the tubes to also make the holes line up).

When in the correct position, secure together using the nut and bolt, repeat for the other 3 tubes.

Finally connect the water supply from your valve to the tee.

Note: Do not attempt to tighten or loosen the bolts securing the face plate to the body as this will result in possible shearing of the securing nuts and will cause the unit to leak.

5