

customer/technical services

For any technical or installation queries please contact Vado on 01934 745163.

guarantee

This product is guaranteed against manufacturing defects from the date of purchase until the expiry of the relevant guarantee period shown below.

The guarantee is only valid if:-

1. The product has been installed, used and maintained in accordance with Vado's instructions and subjected to normal use only.
2. The defect is not due to use of an unsuitable or inadequate water or power supply.
3. The defect is not due to accident, misuse, neglect or repair other than by Vado or Vado authorised agents or damage caused by foreign objects or substances.
4. We have received from you the completed Guarantee Registration Form. Vado accepts no responsibility for any forms lost in the post and returns by registered means is therefore recommended.

Under this guarantee (which is non-transferable) Vado will, at its option, repair or replace free of charge any product (or replacement part) found to be defective. The guarantee does not extend to any consequential loss or damage. After repair or replacement the relevant guarantee period will be calculated from the original date of purchase.

The relevant guarantee periods are:-

1. Twelve years on chrome finish products.
2. Three years on all other products with the exception of Stuart Turner Pumps which carry a 2 year Guarantee on Monsoon Range and 1 Year Guarantee on Showermate Range.

All claims under the guarantee must be submitted in writing to the person who supplied the product to you and must be received no later than the last day of the relevant guarantee period. All claims must be accompanied by proof of purchase (sales receipt or delivery note).

Vado operates a policy of continuous product development and therefore reserves the right to change the product, packaging and documentation specifications without notice.

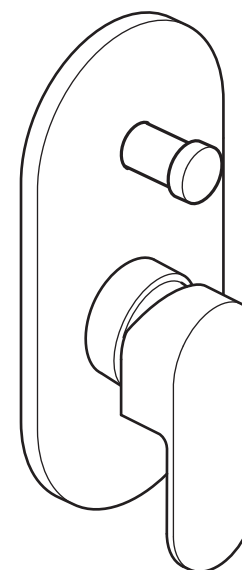
This guarantee is in addition to and does not affect your statutory rights as a consumer.

Vado
 Wedmore Road, Cheddar, Somerset, England BS27 3EB
 tel 01934 744466. fax 01934 744345
 technical@vado-uk.com
 www.vado-uk.com

GUARANTEE REGISTRATION			
NAME	<input style="width: 100%;" type="text"/>		
ADDRESS	<input style="width: 100%;" type="text"/>		
	POSTCODE	<input style="width: 70%;" type="text"/>	
RETAILER	<input style="width: 100%;" type="text"/>		
ADDRESS	<input style="width: 100%;" type="text"/>		
	POSTCODE	<input style="width: 70%;" type="text"/>	
PURCHASE DATE	ARTICLE NUMBER	<input style="width: 100%;" type="text"/> (SEE BOX)	
PRODUCT DESCRIPTION	<input style="width: 100%;" type="text"/>		
WHO INSTALLED THE PRODUCT?	RETAILER <input type="checkbox"/>	PLUMBER <input type="checkbox"/>	BUILDER <input type="checkbox"/>
	SELF <input type="checkbox"/>		
FOR VADO USE	<input style="width: 100%;" type="text"/>		
	<input style="width: 100%;" type="text"/>		



installation & maintenance instructions



life

wall mounted concealed shower mixer with diverter

please leave these instructions with the customer

important - please read

Please read these instructions carefully before starting installation and keep for future reference.

Remove all packaging and check the product for missing parts or damage before starting installation.

Any alterations made to this product and fittings may infringe water regulations and will invalidate the guarantee.

The installation must comply with all Local/National Water Supply Authority Regulations/Byelaws and Building and Plumbing (UK:BS6700) Regulations.

We strongly recommend that you use a qualified and registered plumber.

general installation

These fittings are mixing devices and therefore water supplies must be reasonably balanced.

Where connections are made to the mains cold water supply, WRC approved single check valves must be fitted to both hot and cold inlets. This is a stated requirement of Water Supply (Water Fittings) Regulations 1999 Schedule 2, Section 6 G15.13.2

Before making any inlet pipe connections, all supply pipes MUST be thoroughly flushed to remove debris. Failure to do so could result in damage or low flow from the mixer unit. Water Supply (Water Fittings) Regulations 1999 Schedule 2 Section 4 G13.1

The fitting of isolating valves to the inlet feeds is advised for ease of maintenance.

Please take great care when installing this mixer not to damage its surface.

Please note if installing in an enclosed environment, access should be left for servicing and maintenance. No costs relating to inadequate access can be accepted.

care of the mixer

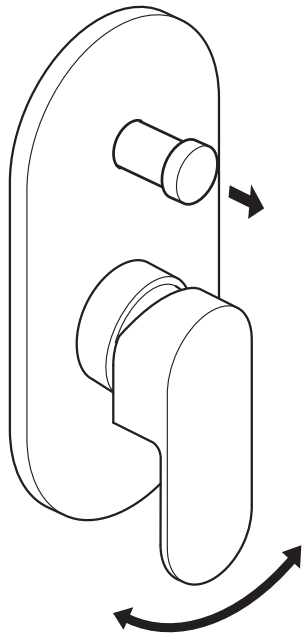
Our products are finished to the highest standard and due care needs to be taken to ensure their looks are retained.

We recommend cleaning all products with a soft damp cloth ONLY and advise strongly against the use of ALL cleaning products i.e. powders and liquids.

If the above instructions are not followed this will invalidate your guarantee in the event of a problem occurring.

installers/users notes

operation

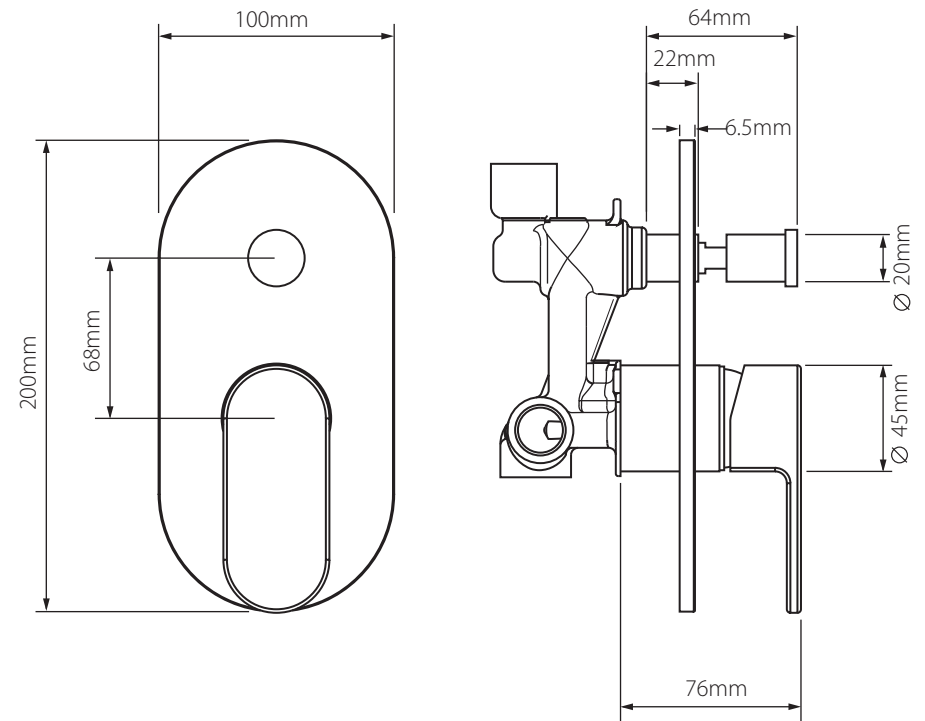


Pull the handle up to increase the flow of water.

Turn the handle clockwise to increase the temperature and anti-clockwise to decrease the temperature.

Push the diverter to turn on the shower, pull to close.

dimensions



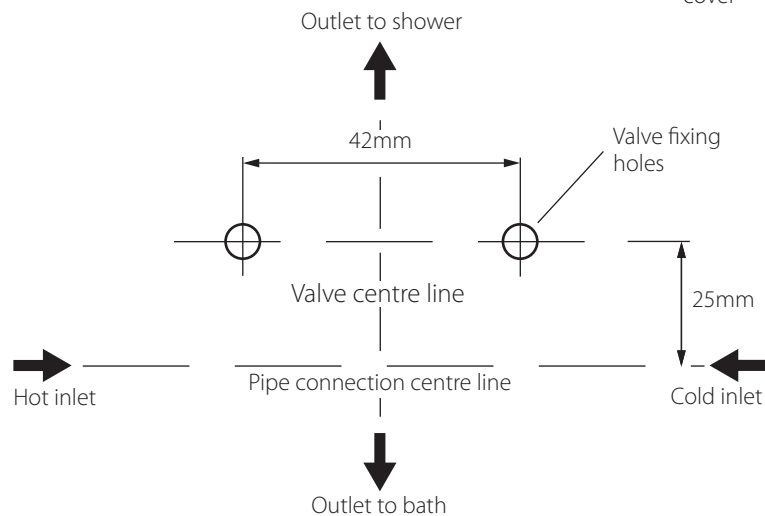
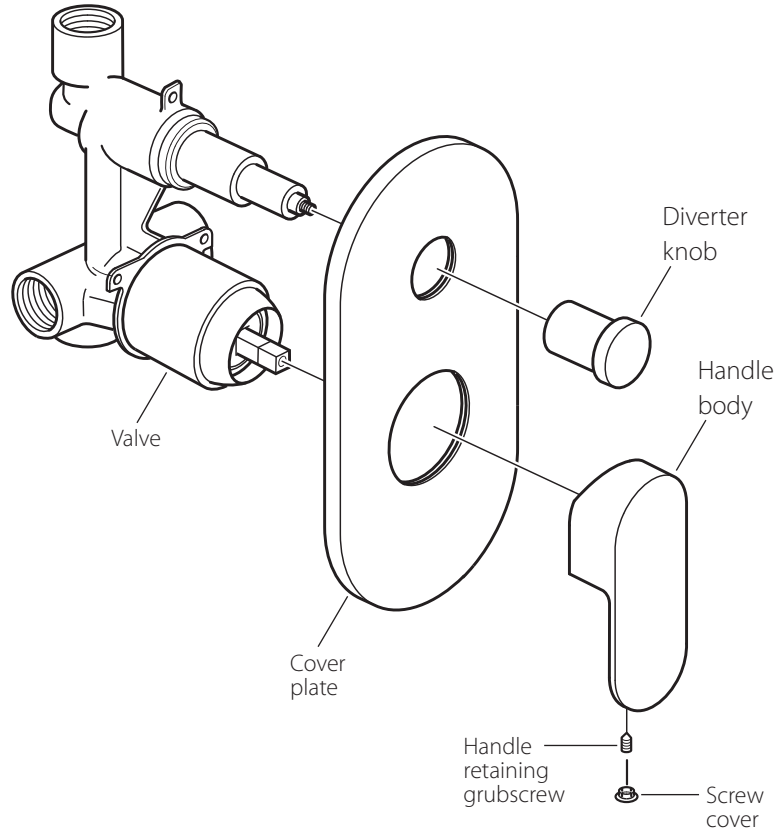
Operating Specifications

Operating Pressure:

Minimum operating pressure 1.5 bar

Maximum operating pressure 5 bar

installation



installation

Before installing your new mixer, flush through the pipework to ensure removal of debris, turn off the water supply.

Warning! Please check for any hidden cables and pipes before drilling holes in the wall.

The valve must be set into the wall (see dimension page for your model). If you are fitting the valve to a partition wall or a wall of particularly soft substrate you will need specialist fixings.

Select the position for the shower valve and offer the shower valve to the wall, mark the 2 fixing points with a suitable pencil. Remove the shower valve from the wall, drill the holes to a suitable depth for the wall plugs and secure with suitable screws.

Make all connections to the valve. Connect hot supply to left inlet of the valve and cold supply to right inlet.

Connect the outlet (top) to the shower and the bottom outlet to the bath.

Slide cover plate over the valve, screw on the diverter knob.

Push the control handle body onto the valve and tighten the grub screw with the hexagonal key provided, push on the screw cover.