

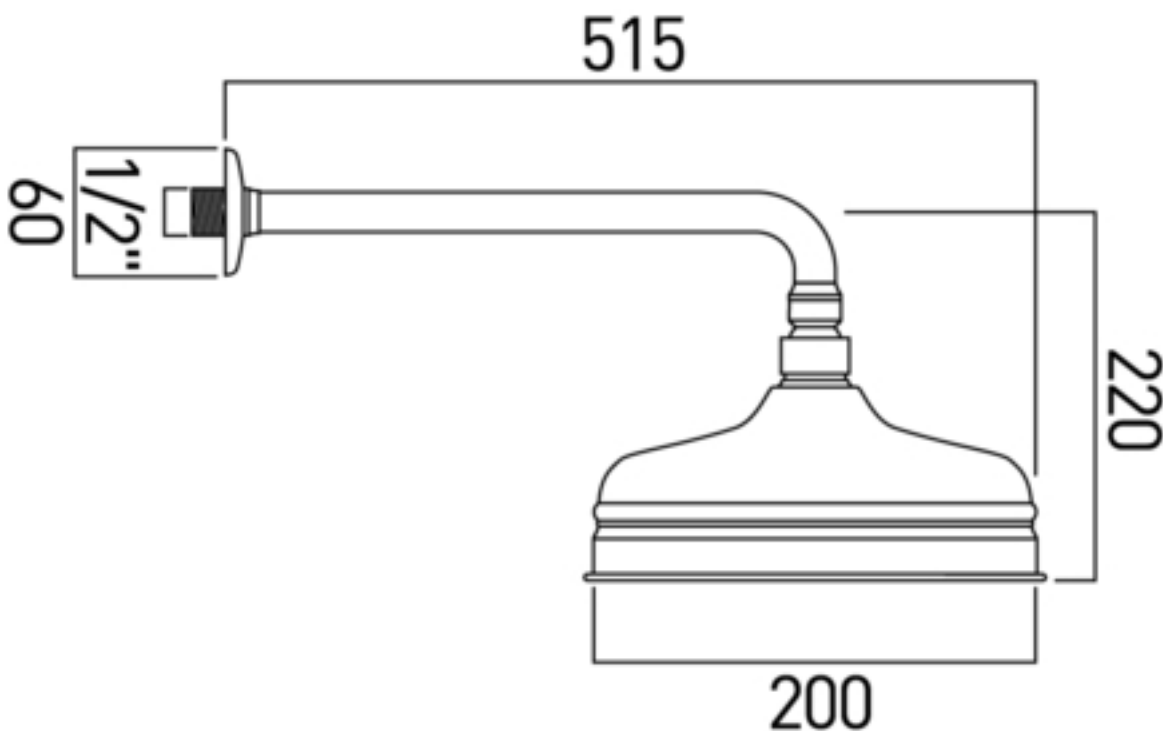


# Technical sheet: WG-16102A



traditional fixed shower head and arm  
wall mounted  
8" (200mm) shower head  
chrome finish  
antique gold finish available  
1/2" x 10mm threaded inlet  
1.5 bar MP

## Technical drawing



*All products include a 12 year guarantee.*