

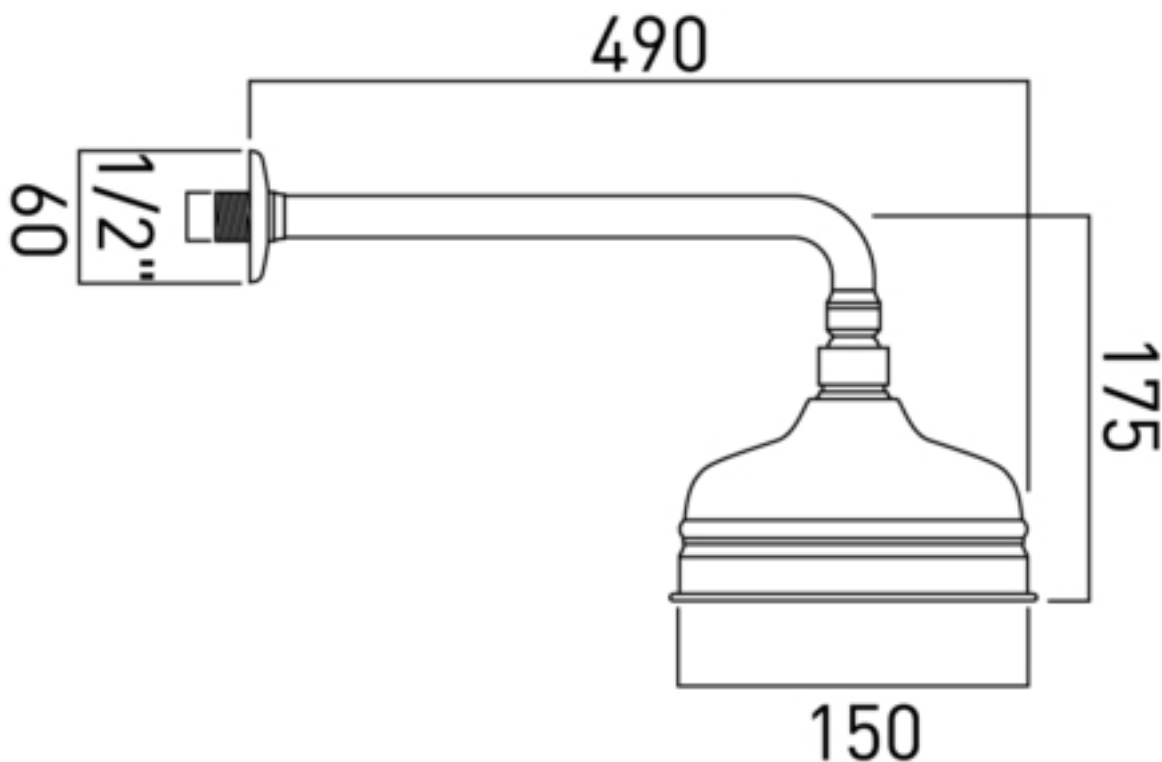


Technical sheet: WG-16102



traditional fixed shower head and arm
wall mounted
6" (150mm) shower head
chrome finish
antique gold finish available
1/2" x 10mm threaded inlet
0.3 bar LP

Technical drawing



All products include a 12 year guarantee.