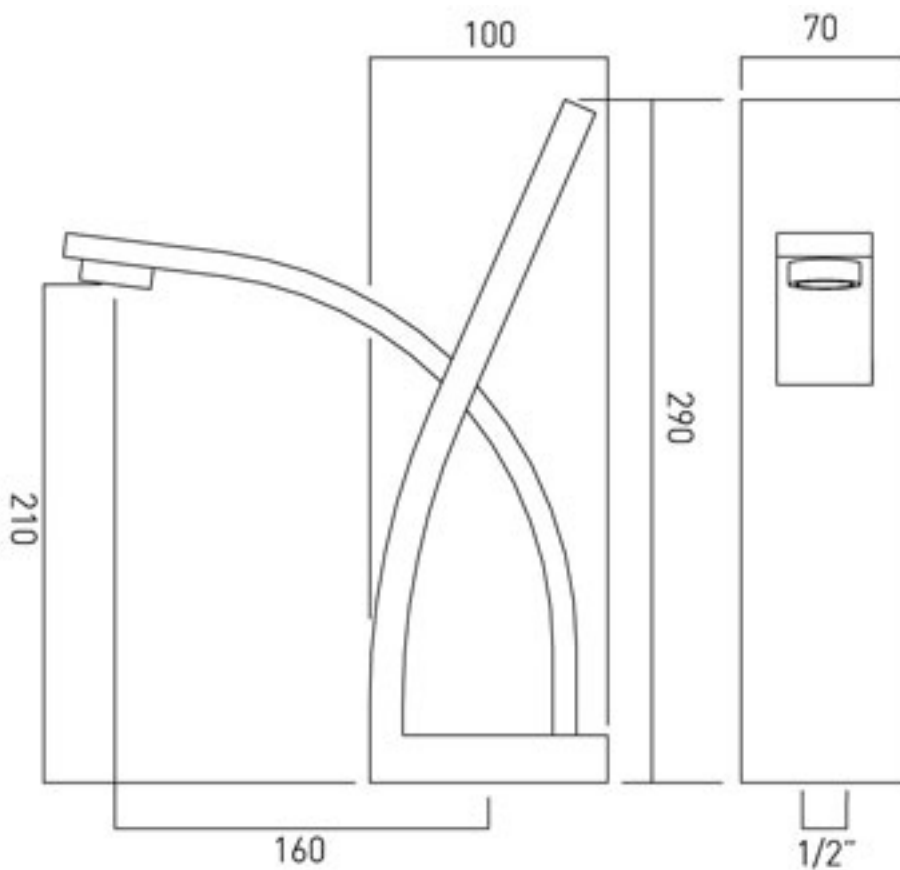




# Technical sheet:



## Technical drawing



*All products include a 12 year guarantee.*